



Direct-on-line  
starter  
M1P00912...A9

Product designation

Product type designation

**Electrical features**

Relay adj range	A	6.3-10
IEC technical characteristics (=440V)	le kW	A kW
		10 3...4

**Components**

Starter enclosure standard supplied	M1PA
Contactor standard supplied	BF0910A
Thermal relay standard supplied	RF381000

**UL technical data**

Maximum UL/CSA horsepower ratings single-phase	110V-120V	HP	0.5
	220V-240V	HP	1.5
Maximum UL/CSA horsepower ratings three-phase, 3-pole	200V-208V	HP	2
	220V-240V	HP	3
	440V-480V	HP	5
	550V-600V	HP	7.5

**Mechanical features**

Weight	g	1040
--------	---	------

**Ambient conditions**

Operating temperature	min	°C	-25
	max	°C	+60

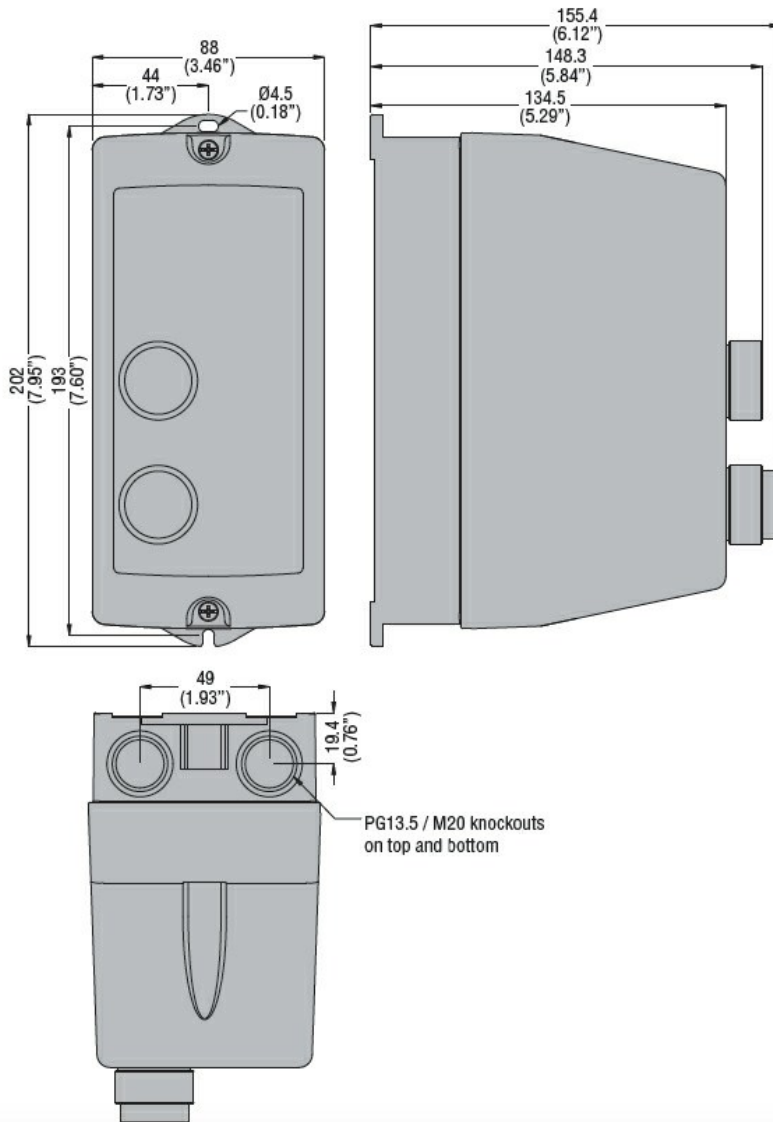
Storage temperature

min	°C	-40
max	°C	+70

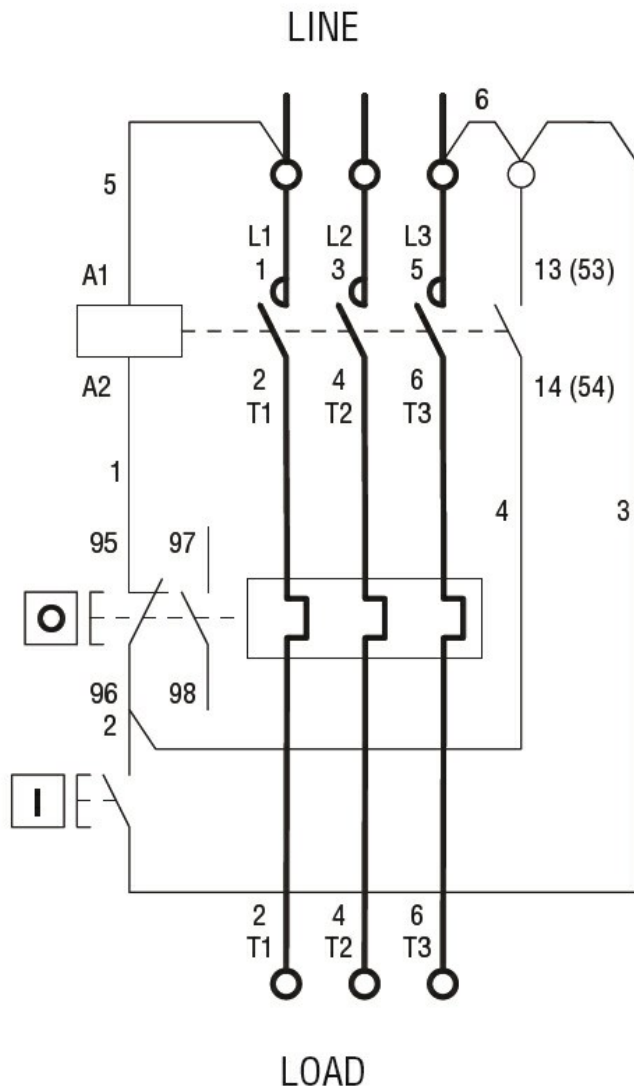
**Resistance & Protection**

Frontal IP degree	IP65
-------------------	------

**Dimensions**



Wiring diagrams



I = Start; O = Stop/Reset

#### Certifications and compliance

##### Compliance

IEC/EN 60947-1  
IEC/EN 60947-4-1  
UL508 CSA C22.2 n° 14

##### Certificates

CSAus  
cULus  
EAC

#### ETIM classification

ETIM 8.0

EC001037 -  
Motor  
starter/Motor  
starter  
combination